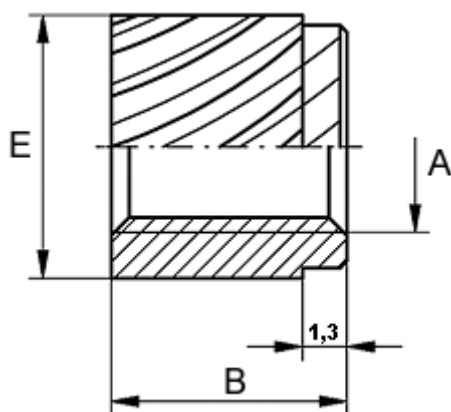


Data Sheet



Article number: 12890000050100
Description: KLEE-coil 890 000 050.100
M5 Hardened/zinc-pl.

Measures



Female thread A	= M5
Length B	= 6.9
Min material thickness	= 2.4
Outer diameter E	= 7.7
Recommended bore diameter	= 7.2
Type	= 890 000 050.100